



NEW BORN

100% ELECTRIC



CUPRA

INDEX

06



BEAUTY

EXTERIOR STYLING
INTERIOR STYLING
COLOURS
WHEELS
INTERIOR AMBIENTS

POWER

ELECTRIFYING PERFORMANCE
CHARGING SOLUTIONS



20

26



INNOVATION

PERFORMANCE & TECHNOLOGY
SAFETY
UPGRADES
CUPRA CONNECT

LEISURE

ACCESSORIES
CUPRA e-CARE
ENVIRONMENTAL
INFORMATION



38

48



TECHNICALS

STANDARD & OPTIONAL
ACCESSORIES
ENGINE SPECS



SPORTY LINES, AN EMOTIONAL SPIRIT, AND A RESPECTFUL CORE SHAPED BY CUPRA'S DNA. EMBRACE INTENSITY AND LIVE YOUR PASSION BEHIND THE WHEEL OF A VEHICLE BUILT TO CELEBRATE EVERY ROAD, EVERY CURVE. EXPERIENCE THE THRILL OF DRIVING A PERFECT FUSION OF SUSTAINABILITY, INNOVATION, SLEEK DESIGN, AND BOLD NON-CONFORMISM. INTRODUCING THE CUPRA BORN — THE FIRST FULLY ELECTRIC CAR FROM THE BRAND. AN UNCONVENTIONAL SPIRIT FOR UNCONVENTIONAL DRIVERS WHO DEMAND VERSATILITY AND ELECTRIFYING EMOTIONS.





BEAUTY

Beauty reveals itself as sophistication, boldness, and grace. It is something to be felt, touched, and seen. Beauty leaves everyone breathless — just as the CUPRA Born does. From its sleek lines, electrifying performance, and versatile spirit emerges not merely design, but a masterpiece of effort: pure, authentic beauty embodied in a vehicle. This is the kind of beauty that propels us forward — fasten your seatbelt, choose your adventure, and savour every road, every curve along the journey. Beauty here means forging new paths and seeking emotions in a sporty, pure, and respectful way.

Our global range of cars and product specifications varies from country to country. Please, visit your local CUPRA website to know more about the product offer available for you.



EXTERIOR STYLING



THREE-LAMP PRESENCE

Quality meets striking design with the Triangle LED matrix headlamps. Exclusive for the CUPRA Born, this three lamp configuration not only lights the road but defines the car's personality at night. Precision light patterns create a distinctive visual identity, while controlled zones of brightness and shadow enhance width, sporty stance, and dynamic character. More than functional, these headlamps deliver a premium and memorable experience for both the driver and onlookers.



WHERE POWER MEETS STYLE

The new Front Bumper redefines the CUPRA Born's look by blending functionality with distinctive style. Its design is elevated by details such as the air curtains, the new front grille with parameterized elements that add texture and movement, and with more sophisticated, finished with a shark-nose front end.



PRECISION, SPORTINESS AND DYNAMISM

The 20" Firestorm wheels with Copper accents combine outstanding design with great functionality. Crafted from premium materials, they elevate the driving experience with precision and style. Equipped with 235 mm performance tyres these wheels deliver sturdiness, stability, and confidence on every road. Even the 19" design features the same tyres, reinforcing the model's sporty stance and dynamic spirit.



A DEFIANT DETAIL

The new Rear Bumper embodies the CUPRA Born's defiant spirit with clean, sturdy lines. Its integrated diffuser enhances the sporty attitude and visual aerodynamics of the car. It also incorporates a bike towing hook, capable of supporting up to 75 kg. Seamlessly connected with other elements, the rear design balances sophistication and functionality, adding a sober yet dynamic look, reinforcing its presence, width, and futuristic identity — a true statement for an electric vehicle.





INTERIOR STYLING

INNOVATING THE DRIVING EXPERIENCE

The interior of the CUPRA Born is designed to create a driver-focused environment where innovation, precision, and design converge. At its core lies the new 10.25" Digital Cockpit, now larger and improved, delivering greater visibility, customizable graphics, and enhanced clarity for essential driving information. Complementing it is the 12.9" infotainment system powered by a new Android™-based operating system with navigation, offering seamless access to maps, multimedia, and apps. The redesigned dashboard moldings, featuring a new 3D parametric design built with 75% recycled materials, along with upgraded 90W USB charging, add sophistication and premium quality, while the steering wheel introduces new mechanical multifunction buttons for intuitive control.



BEAUTY



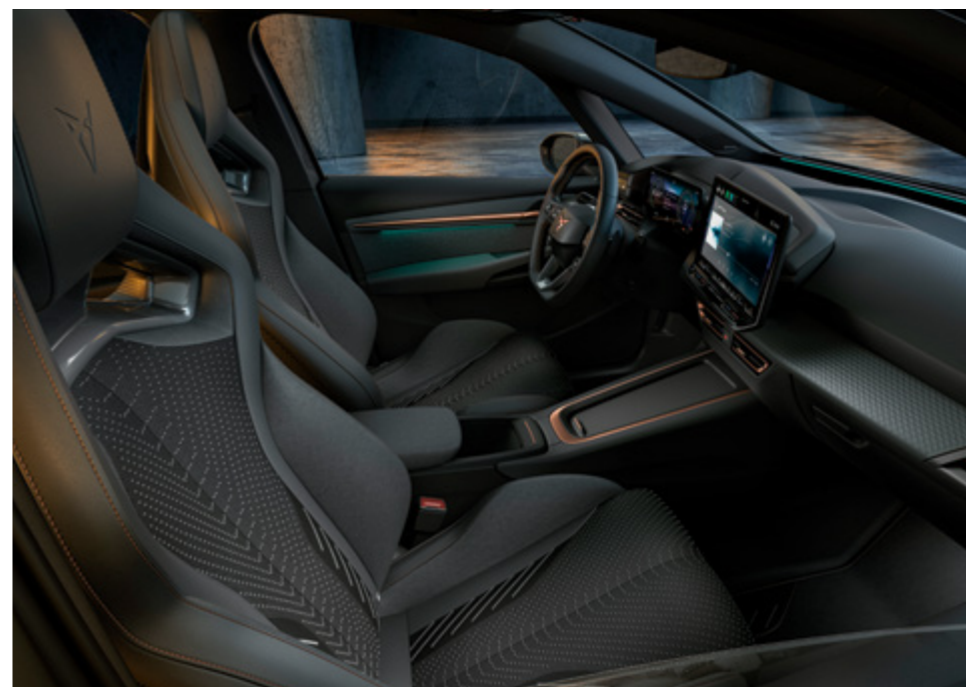
PERFECT COMBO, UNFORGETTABLE RIDE

Live an enhanced driving experience with greater visibility, dynamic visual cues across the dashboard, new apps and seamless call integration. Smartlight, Ambient Light, and Sennheiser AMBEO immersive Sound System unite in perfect harmony to transform every journey into an unforgettable, immersive experience.



CUP BUCKET SEATS IN ENCEDALUS GREY

The CUP Bucket seats for CUPRA Born showcase and unique design and optimized ergonomics, enhancing support in sporty manoeuvres and comfort on long journeys. The backrests are made with 100% natural linen fibre created by Bcomp, and the result reinforces the idea of exclusivity while reducing environmental impact. Complementing the design, the interior upholstery showcases high quality finishes, ensuring durability and a refined touch. Together, these elements embody CUPRA's commitment to offer exclusivity, performance and innovative eco-friendly materials.





INTERIOR STYLING



BEAUTY

REDEFINED EXPERIENCE

Dive into the CUPRA Born's interior and explore its new front and rear door panels. Crafted with copper accents and recycled materials, they add a sophisticated and sustainable touch without compromising quality. The parametric patterned inserts bring coherence to the overall look, while the soft shoulder along the door creates a welcoming, sculptural feel. The driver's door panel now incorporates a four-button switch to control the windows, enhancing practicality. Enjoy its refined feel while embracing an eco-friendly experience.

TOTAL SAFETY, TOTAL CONFIDENCE

The steering wheel features the Mechanical control, a multifunctional mechanical control system that allows the driver to operate audio, phone, and dashboard menus while keeping their hands on the wheel — boosting both confidence and safety.





COLOURS

→
DARK FOREST³



←
MIDNIGHT BLACK²



←
AURORA BLUE³



→
TIMANFAYA GREY²



→
VAPOR GREY³



←
GLACIAL WHITE¹

BEAUTY

¹ Soft
² Metallic
³ Special paint



WHEELS



20" SILVER FIRESTORM
VZ B



20" TORNADO
B VZ

20" COPPER FIRESTORM
B VZ



19" COPPER STORM
B



19" STORM
B





INTERIOR AMBIENTS

ADRENALINE

Comes with CUP bucket seats with a 12-way electric adjustment system, memory (driver only), heating option for both driver and passenger, and a rear armrest.

VZ



BEAUTY



ENERGY ENCELADUS

Features bucket seats with a 12 way electric adjustment system, massage function, heating for both driver and passenger, memory seat (driver only), and a rear armrest.

B VZ



ENERGY GRAPHITE SPARK

Includes bucket seats with a 12 way electric adjustment system, massage function, heating for both driver and passenger, memory seat (driver only), and a rear armrest.

B



PULSE

Includes front manual bucket seats, with high adjustment for both driver and passenger.

B



Born	B
Born VZ	VZ
Standard	■
Optional	■



POWER

Power is the heartbeat of progress. You feel it in every ride forward, every moment of acceleration. Within the CUPRA Born, batteries are more than a source of energy — they embody endurance, freedom, and the spark that propels every journey. Embrace power with confidence, with a defiant attitude and a hunger to feel emotion on every road. Experience raw electric power in motion.

Our global range of cars and product specifications varies from country to country. Please, visit your local CUPRA website to know more about the product offer available for you.



ELECTRIFYING PERFORMANCE

The CUPRA Born is 100% electric. It delivers pure performance, pure dynamism right from the very first moment. Feel the electrifying boost of this design anytime, anywhere.

ELECTRIC FREEDOM, SHAPED FOR EVERYDAY LIFE

The CUPRA Born's advanced batteries — available in 58 kWh 140 kW and 79 kWh 170 kW — deliver the confidence to go further, smoothly and effortlessly. From city streets to open roads, their intelligent energy management turns every journey into a refined, sustainable experience: powerful when you need it, always efficient.



POWER



THIS IS ELECTRICITY WITH INTENT

The CUPRA Born VZ takes the same electric foundation and pushes it further, pairing a high-capacity battery 79 kWh 240 kW with a performance-driven mindset. Power flows instantly, acceleration feels instinctive, and every drive becomes an expression of pure CUPRA character.

Our global range of cars and product specifications varies from country to country. Please, visit your local CUPRA website to know more about the product offer available for you.



CHARGING SOLUTIONS



POWER

LIVE NEW EMOTIONS CONFIDENTLY

Defy all conventions. Choose to live new emotions, seek new paths. Explore CUPRA's charging solutions through the My CUPRA App and own every ride confidently.

PUBLIC CHARGING ACCESSIBILITY

Recharge your Born easily with a growing network of charging stations in city centres, suburbs, and beyond. Discover the new Plug&Charge feature that removes the hassle of using apps or RFID cards. The CUPRA Charging Map navigation function was designed to help you find stations and plan trips for maximum convenience.

HOME CHARGING SOLUTIONS

Experience ease with CUPRA's home charging solutions. Use the My CUPRA app to remotely control charging, manage your home charger and be always ready to go.

CUPRA CHARGER 2

Revolutionizing the way you charge your CUPRA. This new and enhanced version of the Home Charging solution unlocks the full potential of the CUPRA Born's charging capabilities, supporting up to 11 kW AC* and offering Wi-Fi and remote connectivity. Smart functions optimize charging based on solar energy availability and electricity rates, reducing costs by up to 40%.

* The Charger is able to reach powers of up to 22 kW covering the maximum charging power of your CUPRA. Charging times vary in relation to the following factors: external temperature, battery temperature, maximum voltage of your charger system and condition of charger and battery.

Our global range of cars and product specifications varies from country to country. Please, visit your local CUPRA website to know more about the product offer available for you.



INNOVATION

Innovation is CUPRA's essence. Challenging conventions and embracing change is at the core of what we do, and the CUPRA Born is the perfect example of that. Our 100% electric car is the perfect blend of cutting-edge technology, of daring to pursue excellence while respecting the planet and adding comfort to enjoy every adventure.



PERFORMANCE & TECHNOLOGY



KEY INFO RIGHT BEFORE YOUR EYES

The AR-HUD system casts key information in the windshield to create a futuristic, innovative experience. Check speed information, warnings and other navigation data without taking your eye off the road.



CONFIDENCE FROM EVERY ANGLE

The top-view camera system uses multiple cameras to provide a clear 360° view of your vehicle's surroundings. It displays an overhead perspective, it offers visual assistance that makes manoeuvres in narrow or challenging parking spaces easier, while enhancing obstacle awareness and giving you greater confidence behind the wheel.



ENERGY ON THE GO

This feature allows you to use your car's high voltage battery as an external power source. The CUPRA Born is equipped with the Vehicle to Load system, so you can plug in and power your devices — from phones and laptops to tools and even camping equipment.



SOUND MEETS EMOTION

Delivers an exhilarating driving experience with a sporty sound inspired by Formula E racing and developed exclusively for CUPRA, amplifying the thrill and connection every time you hit the road.



PURE, EDGY TECHNOLOGY

The future lies in the details — like the Mobile Digital Key (Beta)*, an advanced system that transforms your smartphone or preferred device into a fully functional key, enabling you to unlock and even drive your CUPRA Born with total ease.



* Mobile Device Key is a supplement to the traditional physical key. Please make sure that you have the physical key available.



SAFETY



SMART DRIVING AT EVERY TURN

Travel Assist makes every journey better by seamlessly integrating Predictive Adaptive Cruise Control (PACC), Lane Centring support and braking control, using cloud-connected data. - Designed to enhance safety and comfort, this system it gives you peace of mind and redefines the driving experience with intelligent assistance at every turn.



ADVANCED PROTECTION FOR EVERYONE

Always ready — because every second matters. The Pre-Crash feature detects imminent collision risks, both front and rear, and automatically protects you by tightening seatbelts, adjusting seats, closing windows, and optimizing brakes. Smart anticipation that helps reduce injuries and keeps every passenger safe on every drive.



REDUCING RISKS, INCREASING PEACE OF MIND

Emergency Assist automatically acts to safeguard you in critical moments. By detecting driver inactivity, it minimizes risks, prevents serious collisions, and protects everyone on the road—issuing alerts, stopping the vehicle safely, and activating hazard lights.



INTELLIGENT ILLUMINATION, SAFER NIGHTS

Light Assist automatically switches between low and high beams to ensure optimal visibility in any situation - making night driving more comfortable, secure and focused.



Euro NCAP has awarded the CUPRA Born a maximum safety rating of 5 stars.





UPGRADES



NIGHT SAFETY

The CUPRA Matrix LED Pack, featuring the new 3-triangle signature headlights and a sophisticated design, delivers powerful, precise lighting without dazzling other drivers, intelligently adapting the beam to traffic conditions.



PARKING, SIMPLIFIED

Confidence, precision, and safety when parking — what's not to love about the Drive Pack? It features Trained Park Assist (TPA), which enables the vehicle to learn your usual parking manoeuvres and automatically park itself in stored spots; Intelligent Park Assist (IPA), which supports parking manoeuvres almost autonomously; and Remote Park Assist (RPA), allowing you to park using your smartphone. These parking assistants can also be equipped with a remote option.



ENGAGE WITH EMOTIONS

Transform the interior of your CUPRA Born into an engaging, intense space with the Immersive Pack. The integrated Smart Light provides intuitive signals to support your driving. And now, with the Sennheiser AMBEO immersive Sound System featuring 10 speakers, the acoustic experience inside the car is redefined to deliver a deeper, more premium and immersive sound.



SMART FEATURES, EASIER DRIVE

The EDGE Pack brings together intelligent convenience and advanced protection. Enjoy effortless access with Keyless Advanced and the Mobile Digital Key (Beta)*, plus seamless connectivity with LTE telephony and wireless charging. Drive with confidence thanks to the Rear View Camera, Front Light Assist, and the extended proactive passenger protection system (PRE-CRASH). Added security comes from the anti-theft alarm with interior monitoring, while Climatronic Bi-zone keeps everyone comfortable. And with Vehicle-to-Load (V2L), you can even charge your devices directly from your car.



* Mobile Device Key is a supplement to the traditional physical key. Please make sure that you have the physical key available.



UPGRADES



ALWAYS WINTER-READY

No matter the weather, we've got your back with advanced technology designed to keep the cabin warm and comfortable from the moment you start your journey. Choose the Winter Performance Pack, which includes the Heat Pump system – optimising energy efficiency while keeping you warm – or the Winter Comfort Pack, featuring individually controlled seat heaters for added convenience and a personalised experience.



LET THE LIGHT IN

Make every drive a captivating journey fuelled by natural light thanks to the Panorama Sunroof. This glass roof expands the sense of space inside your CUPRA Born, creating an airy atmosphere that lets you enjoy your rides to the fullest.



ALWAYS GEARED-UP

Gear up for your next riding adventure. Start exploring the outdoors with your CUPRA Born and take your bike along for the ride. The optional bike-towing hook expands your possibilities, letting you load your bike easily and keep your journey going without limits.



DOUBLE FLOOR, MAXIMUM PROTECTION

This double floor tray offers two height position to suit your needs. It adds versatility to the luggage compartment of your CUPRA Born, adapting easily to whatever you want to carry – weather big suitcases, small bags or long objects –, while keeping everything secure through your journeys.



* The Tow hitch is designed to support a maximum load of 75 kg. Exceeding this limit may compromise safety and vehicle performance.



ENROL WITH CUPRA CONNECT



* Mobile Device Key is a supplement to the traditional physical key. Please make sure that you have the physical key available.

Our global range of cars and product specifications varies from country to country. Please, visit your local CUPRA website to know more about the product offer available for you.

Welcome advanced navigation and content as you drive, along with added security and a remote connection to your CUPRA Born via my CUPRA App.

NEXT-LEVEL CONNECTIVITY

Remote lock & unlock, plug&charge, check the battery level, adjust your climate settings, find where to charge and even drive your car - all from your phone.

TOTAL CONTROL, EFFORTLESSLY

Take your driving experience further with the 12.9" Navi System. Navigate in real time, discover near by charging points and parking, pay instantly with Park & Pay, and enjoy global radio and podcasts. Everything you need is right at your fingertips.

CUPRA MOBILE DIGITAL KEY (BETA)*

Your smartphone can now function as a Mobile Digital Key (Beta)*: unlock the car as you approach, lock it as you walk away, start the engine, and share access securely. Manage your Mobile Digital Key (Beta)* through your phone wallet after activating it via the My CUPRA App. The package also includes a Smart Card to temporarily grant access to someone else.

MY CUPRA IN APPLE CARPLAY

Enjoy infotainment functions within Apple CarPlay™, with quick and easy access. Designed for users who use Apple CarPlay™ as their main interface, it offers a personalised environment with effortless control of audio, temperature and lighting, as well as access to your contacts, key driving information and much more. Activate everything quickly through the My CUPRA App.

CUPRA APPS STORE

Get a selection of in-car applications directly on your infotainment display and enjoy a truly curated connected-driving experience. Enjoy effortless connectivity with ready-to-use apps, convenient charging, a personalized interface tailored to your preferences, and plenty of entertainment and information services on the go.



LEISURE

Every second behind the wheel of your CUPRA Born is full of emotion. Transcend the ordinary, enjoy every adventure ahead and don't worry about a thing. Our selection of accessories for CUPRA Born takes care of every detail — from weekend getaways to daily commutes. Whatever your plans, there's a perfect accessory for everything.



ACCESSORIES



DARK ALUMINIUM PEDALS

Commanding style, sturdy control, and flawless performance and grip — add the Dark Aluminium pedals to your Born and keep on riding.



PREMIUM FLOOR MATS ENERGY PULSE

Add protection, durability, and sophistication to your CUPRA Born. Designed for the perfect fit, the Energy Pulse Premium floor mats will keep the interior in top condition.



RUBBER FLOOR MAT

Protect the interior of your CUPRA Born with durable, high-quality rubber floor mats — designed to elevate the look while delivering all-weather performance and functionality.



PREMIUM FLOOR MATS BLACK SPARK

Keep every detail in check and maintain a pristine interior with Premium Black Spark floor mats, specially design for your Born.





ACCESSORIES



CAR COVER

Safeguard your CUPRA Born with this convenient car cover, specifically designed to keep dirt and dust away from your vehicle.



FRONT MUDFLAPS

Live every adventure without compromising protection. These front mudflaps keep dirt, debris, and mud away from your Born wherever you go.



CHILD SEAT

Give your little ones a safe and comfortable ride on every adventure. Suitable for children of different ages, the child seat is ergonomically designed and provides a secure fit with easy installation.



SEMIRIGID BOOT TRAY

Specifically designed to fit the dimensions of the luggage compartment of your Born, this semirigid boot tray is the ideal solution to keep the space organised and protected.



Our global range of cars and product specifications varies from country to country. Please, visit your local CUPRA website to know more about the product offer available for you.



CUPRA e-CARE*

Drive with confidence. Discover comprehensive packages designed to accompany you on every electric journey. Keep you CUPRA Born's condition in check.

SMALL PACKAGE

Our basic pack covers all essential servicing – ideal for those who travel locally but still want to keep their CUPRA in tip-top condition.

MEDIUM PACKAGE

Tailored for the avid traveler, this package includes everything from the Small Package plus extended Warranty and Roadside Assistance.

LARGE PACKAGE

Our ultimate care package, offering comprehensive coverage including Tyre Replacement and Full Maintenance on top of Medium benefits.



WARRANTY EXTENSION

Extend your warranty up to 3 more years or 100,000 km. New CUPRAS come with this peace of mind included, ensuring continued excellence.

CUPRA MOBILITY SERVICES

Around-the-clock assistance, anywhere in the EU and beyond. Enjoy 2 years free with your new CUPRA, ensuring help is always on hand.

RELAX INTO THE IMPULSE

Drive with ease knowing CUPRA Insurance and our 24-hour support have you covered, with courtesy cars available for any major incidents.

* e-CARE services may differ according to market.

Our global range of cars and product specifications varies from country to country. Please, visit your local CUPRA website to know more about the product offer available for you.



ENVIRONMENTAL INFORMATION

LIGHTING

Headlamps and rear lamps are 100% LED, increasing life service by up to 10 times. For headlamps, the luminous flux effectiveness is increased at least 30% in comparison to a halogen lamp.

RECYCLED MATERIALS

The ceiling lining uses 100% recycled polyester. The dashboard moulding contains at least 75% recycled plastic. The seats also incorporate a fair share of recycled materials:

Seat bucket ENERGY PULSE configuration: features upcycled SEAQUAL® YARN in 100% of the seat trim covers.

Seat bucket Black Spark configuration: the fabrics in the central section of the front and rear lateral seats include Dinamica® with 73% recycled textile.

Seat bucket Enceladus configuration: the fabrics in the central section of the front and rear lateral seats include Dinamica® with 73% recycled textile.

BORN VZ: the backrest of the CUP bucket seat is made with at least 33% flax fibre. The carpets contain a minimum of 29% recycled ECONYL® nylon, made from discarded fishing nets and textile fibres from old carpets.

CUP BUCKET SEAT

Commitment to sustainability is one of CUPRA's core pillars. That's why the Born's CUP bucket seats are crafted in a more sustainable, challenging, yet highly effective way. The backrests are made with a minimum content of 33% flax fibre — a choice that not only reduces weight by up to 50%, but also redefines exclusivity and sophistication. We partnered with Bcomp to achieve this, reinforcing our commitment to circular economy principles and local sourcing. Their EU-grown flax fibres, sourced from the Netherlands, are transformed into the material used in our vehicle. The result is pure CUPRA DNA with a new, 100% natural look and feel. This approach not only promotes sustainability but also makes each seat and interior detail truly unique, as the natural fibres create subtle variations in colour and texture, ensuring no two pieces are the same.



DRIVING

While driving manually with Comfort or Range driving profiles, when a foreseen event or a moving object ahead is detected, the ECO-Assist function enhances efficiency and comfort during deceleration by continuously determining the ideal coasting and/ or automatic energy recuperation strategy. In certain situations, the function provides the driver with a visual event warning to lift their foot off the accelerator pedal, and if the driver reacts, the function takes over the anticipated deceleration based on the distance to the event. Driving with ECO-Assist function active saves energy and increases range.

CUPRA Drive Profile: This allows the customer to choose between different driving profiles that will change the vehicle's behaviour. One of these profiles is the RANGE, which, among other actions, adjusts the climate control and changes the propulsion parameters to reduce energy consumption.



TECHNICALS

Meticulous engineering and a passion for breaking boundaries are at the core of the CUPRA Born. Experience technical mastery with electrified power that goes beyond driving. Innovation meets design to create an emotional yet conscious vehicle, crafted to awaken every sense behind the wheel. Discover the electric efficiency fuelled by pure CUPRA DNA.



STANDARD & OPTIONAL EQUIPMENT

- ▼ Standard
- ▽ Optional
- Not available

ASSISTANTS & SAFETY

	CUPRA BORN	CUPRA BORN VZ
Tyre pressure monitoring system	▼	▼
3-point seat belts in front with pretensioner	▼	▼
Visual and acoustic seat belt reminder, electric contact in front and rear	▼	▼
Breakaway interior rearview mirror, auto-dimming	▼	▼
Travel Assist 3.0	▽	▽
Intelligent Park Assist + Remote Park Assist	▽	▽
Trained Park Assist + Remote Trained Park Assist	▽	▽
Top View Camera 360°	▽	▽

EQUIPMENT

- ▼ Standard
- ▽ Optional
- Not available

ASSISTANTS & SAFETY

	CUPRA BORN	CUPRA BORN VZ
Emergency Assist 3.6	▽	▽
Anti-theft alarm system, interior monitoring, backup horn, and towing protection	▽	▼
eCall (Public emergency call)	▼	▼
Airbag on driver and front passenger side, with front passenger airbag deactivation	▼	▼
Forward collision warning with warning and braking reaction to vehicles, pedestrians and cyclists	▼	▼
Exit Warning and Rear Traffic Alert (Side Assist included)	▼	▼
Emergency steering support with turn assist	▼	▼
Traffic sign recognition	▼	▼
Pre-Crash	▽	▼



2026

- ▼ Standard
- ▽ Optional
- Not available

EXTERIOR

EQUIPMENT

	CUPRA BORN	CUPRA BORN VZ
19" Storm	▼	-
19" Copper Storm ¹	▽	-
20" Tornado ¹	▽	▽
20" Copper Firestorm ¹	▽	▽
20" Silver Firestorm ¹	▽	▼
20" Tornado Label A tires ¹	▽	▽
20" Copper Firestorm Label A tires ¹	▽	▽
All season tyres 19" in sport black ¹	▽	-
All season tyres 19" in sport with details in copper ¹	▽	-
Panorama Sunroof	▽	▽
Black Chrome VZ logo on boot	-	▼
Exterior mirror housings painted in Grey	▼	▼
Adjustable and heated power-folding exterior mirrors with front passenger exterior mirror lowering function	▼	-
Aspherical exterior mirrors on driver side and convex on front passenger side	▼	▼
Matrix Led Headlamps ²	▽	▼
Exterior mirrors, power-adjustable, separately heated, memory and lowering function	▽	▼
3D Rear Lights with illuminated logo	▼	▼
Welcome Light in exterior mirrors	▼	▼
Dark Tinted Windows	▽	▼
Towing Hook	▽	▽

¹ Not compatible with any other Alloy Wheel package.

² With ceremony.

Our global range of cars and product specifications varies from country to country. Please, visit your local CUPRA website to know more about the product offer available for you.

- ▼ Standard
- ▽ Optional
- Not available

INTERIOR

EQUIPMENT

	CUPRA BORN	CUPRA BORN VZ
CUPRA steering wheel, heated	▼	-
CUPRA steering wheel with satellites, heated, with paddles	▽	▼
Smartlight	▽	▼
Ambient light (Multicolor)	▼	▼
Climatronic 1 zone	▼	-
Climatronic 2 zone	▽	▼
Sun visors with mirror illuminated (LED)	▼	▼
Split folding rear seats	▼	▼
Child seat anchor for child seat system i-Size, 2x top tether, and child seat anchor in front on front passenger side	▼	▼



- ▼ Standard
- ▽ Optional
- Not available

INTERIOR

EQUIPMENT

	CUPRA BORN	CUPRA BORN VZ
PULSE		
- Bucket Seats in Sequal Yarm Containins upcycled Marine Plastic - Door and side trim panel in textil Sequal	▼	-
ADRENALINE		
- Bucket Seats in Enceladus Grey - Seat heater for front seats separately controlled - Pneumatically adjustable lumbar support on both sides - Power seat adjustment for both front seats with memory only driver - Unsplit rear seat bench, split folding backrest, with center armrest - Door and side trim panel in Dinamica®	-	▼
DYNAMIC DESIGN Graphite spark w/ memory only driver³		
- Bucket Seats in Dinamica® grey (Energy Graphite Spark) - Seat heater for front seats separately controlled - Electric, heated and foldable side mirrors incl. Welcome light - Pneumatically adjustable lumbar support on both sides - Power seat adjustment for both front seats with memory only driver - Front seat(s) with massage - Unsplit rear seat bench, split folding backrest, with center armrest - Door and side trim panel in Dinamica®	▽	-
DYNAMIC DESIGN Enceladus w/ memory only driver⁴		
- Bucket Seats in Dinamica® Enceladus Grey (Energy Enceladus) - Seat heater for front seats separately controlled - Electric, heated and foldable side mirrors incl. Welcome light - Side airbag in front with curtain airbag and interaction airbag in front - Pneumatically adjustable lumbar support on both sides - Power seat adjustment for both front seats with memory only driver - Front seat(s) with massage - Unsplit rear seat bench, split folding backrest, with center armrest - Door and side trim panel in Dinamica®	▽	▽

³ Not available with Winter Comfort Pack and Dynamic Design Enceladus.

⁴ Not available with Winter Comfort Pack and Dynamic Design Graphite Spark.

Our global range of cars and product specifications varies from country to country. Please, visit your local CUPRA website to know more about the product offer available for you.

- ▼ Standard
- ▽ Optional
- Not available

TECHNOLOGY

EQUIPMENT

	CUPRA BORN	CUPRA BORN VZ
Keyless Advanced	▽	▼
Infotainment system in the cockpit 10.25" and Central display 12.9" with Android™	▼	▼
Full Link	▼	▼
7 speakers in front	▼	▼
Sennheiser AMBEO immersive Sound System	▽	▽
Voice control	▼	▼
CUPRA CONNECT	▼	▼
Navigation System	▽	▽
Dataplan extension from 72GB to 180 GB over a 3-year period	▽	▽
Dataplan extension from 72GB to 120 GB shifting from a 3-year period to a 5-year period	▽	▽
Dataplan extension from 72GB to 300 GB shifting from a 3-year period to a 5-year period	▽	▽
Park distance control (front & rear)	▼	▼
Rear View Camera	▽	▼
Predictive Adaptive Cruise Control and speed limiter	▼	▼
Winter Pack Performance - Heat pump - Refrigerant R744	▽	▽
Winter Pack Comfort⁵ - Seat heater for front seats separately controlled	▽	▼
Windshield wiper intermittent control with light/rain sensor	▼	▼
Acoustic windshield	▼	▼
MODE 2 Charging Cable (10 A)	▽	▽
MODE 3 Charging Cable (32 A)	▽	▽

⁵ Not available with Dynamic Design Enceladus Pack and Dynamic Design Graphite Spark Pack.



2026

- ▼ Standard
- ▽ Optional
- Not available

UPGRADES

EQUIPMENT

	CUPRA BORN	CUPRA BORN VZ
EDGE		
- Rear View Camera		
- Keyless locking system Advanced		
- Illuminated exterior door handles		
- Phone wireless charging		
- Anti-Theft alarm system	▽	▼
- Climatronic bi-zone		
- Mobile Digital Key (Beta) ⁶		
- Physical Key for Mobile Digital Key (Beta) ⁶		
- Pre-Crash system		
- Front light assist		
- Vehicle to Load (V2L)		
DRIVE PACK		
- Speed limiter		
- Cross road assist		
- Travel Assist 3.0	▽	▽
- Top View Camera		
- Intelligent Park Assist + Remote Park Assist		
- AR HUD		
- Acoustic windshield for AR HUD		
IMMERSIVE		
- Sennheiser AMBEO immersive Sound System	▽	▽
- Smartlight		
MATRIX LED PACK⁷		
- Matrix Led	▽	▼
- Active light assist		

⁶ Mobile Device Key is a supplement to the traditional physical key. Please make sure that you have the physical key available.

⁷ Not compatible with Pure Performance.

- ▼ Standard
- ▽ Optional
- Not available

OTHERS

EQUIPMENT

	CUPRA BORN	CUPRA BORN VZ
Extra Key - Two Physical Keys	▽	▽
Doble Floor	▽	▽

Our global range of cars and product specifications varies from country to country. Please, visit your local CUPRA website to know more about the product offer available for you.



ACCESSORIES

INTERIOR

REFERENCE

Dark aluminium pedals (automatic)

5FA064205 9DG

TRANSPORT

Tow bar (only for bikes)

10E092160

ACCESSORIES

PROTECTION

REFERENCE

Premium floor mats Energy Pulse - LHD

1EB863011F LOE

Premium floor mats Energy Pulse - RHD

1EC863011F LOE

Premium floor mats Black Spark - LHD

1EB863011G LOE

Premium floor mats Black Spark - RHD

1EC863011G LOE

TPE Floor mats - LHD

1EB061500A 041

TPE Floor mats - RHD

1EC061500A 041

Semirigid boot tray

1EA061201

Front Mudflaps

1EA075111A

Car cover

6H3061701C

SAFETY

REFERENCE

Utility kit CUPRA (flashlight + vest + first aid kit)

6H3093990AD

Utility kit CUPRA (1 mini triangle + vest + first aid kit)

6H3093990AC

Reflective jacket

000093900SA

Emergency beacon light (DGT) (only Spain)

000052122H

Cleaning kit for matt paint

000087700CH

KIDFIX i-Size (100-150 cm)

000019906AK



CONNECTIVITY /E-MOBILITY

	REFERENCE
Kit of Charging cable (Mode 2) EU	000054412AQ
Kit of Charging cable (Mode 2) FIN, FRA	000054412AS
Kit of Charging cable (Mode 2) DEN	000054412BC
Kit of Charging cable (Mode 2) CHE	000054412AT
Kit of Charging cable (Mode 2) GBR, CYP, IRL,MAL,GIB	000054412BA
Kit of Charging cable (Mode 2) NOR	000054412AR
Kit of Charging cable (Mode 2) ISR	000054412BK
Kit of Charging cable (Mode 2) AUS	000054412BJ
Kit of Charging cable (Mode 3) 3Ph 16A	000054412BD
Kit of Charging cable (Mode 3) 3Ph 32A	000054412BE
V2L Adapter - Typ2 Typ G (UK)	000054412 CS
V2L Adapter - Typ2 - CEED1P116A (camping)	000054412 DA
V2L Adapter - Typ2,F,C,L (EU)	000054412 CT

ACCESSORIES

INFOTAINMENT

	REFERENCE
CUPRA Cable 3 in 1	000051444AR



ENGINE SPECS

GENERAL INFORMATION

	BATTERY 58 KWH (61 KWH) / 190 PS (HP) - 140 KW	BATTERY 79 KWH (84 KWH) / 231 PS (HP) - 170 KW
Acceleration (0-50 km/h)	3.0	2.7
Acceleration (0-100 km/h)	8.0	7.0
Maximum power (kW/HP)	140/190	170/231
Electric range max-min (km)	484-413	627-538

DRIVETRAIN

Max torque (Nm)	350	350
-----------------	-----	-----

* The accurate range for your vehicle will vary according to a number of different factors which include the route, weather conditions, vehicle load (occupants + luggage), battery age and condition, optional equipment (alloys, tyres, etc.), the use of peripheral energy consumption systems such as heating, air conditioning and heated seats, as well as your driving style. The indicated range has been calculated in compliance with the WLTP standards, which set out test conditions applicable to all car manufacturers to ensure the comparability of these tests for all vehicles.

** The technical data displayed are merely indicative and may vary. The available power (KW) and acceleration of the vehicle depends on the battery charge level and its temperature at all times. The pictures are used for illustrative and informational purposes only and may not correspond to the series production.

***Please note will be available from week 20/26

ENGINE SPECS

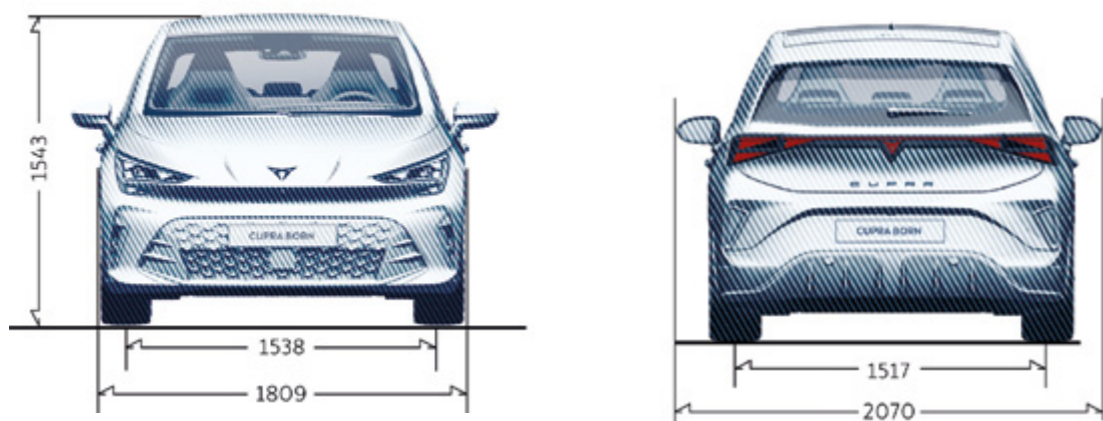
BATTERY

	BATTERY 58 KWH (61 KWH) / 190 PS (HP) - 140 KW	BATTERY 79 KWH (84 KWH) / 231 PS (HP) - 170 KW
Battery type	LFP battery	NMC battery
Battery capacity (kWh)	58(61)	79(84)
Battery voltage	240-305V	240-408V
Charging time (AC 7 kW)	-	-
Charging time (AC 11 kW) 0-100% SoC (h)	6h 30min	8h 30min
Charging time (DC 50 kW)	-	-
Charging time (DC 105 kW) 10-80% SoC (h)	0:26	-
Charging time (DC 120 kW)	-	-
Charging time (DC 165 kW)	-	-
Charging time (DC 175 kW)	-	-
Charging time (DC 183 kW) 10-80% SoC (h)	-	0:29
Charging time 100km range/100 kW	-	-
Charging time 100km range/170 kW	-	-

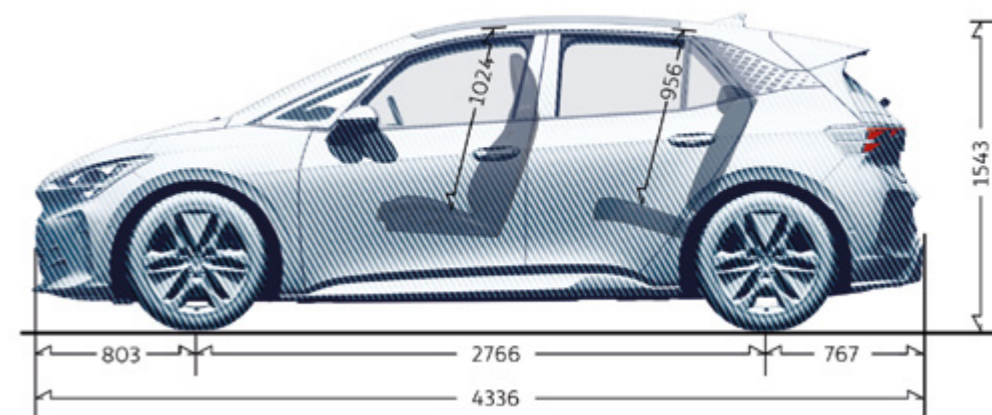
ELECTRIC CONSUMPTION

Electric consumption combined WLTP (kWh/100 km)	14.2 - 16.7	14.4 - 16.8
Combined range WLTP max-min (km)	484 - 413	627 - 538

Our global range of cars and product specifications varies from country to country. Please, visit your local CUPRA website to know more about the product offer available for you.



ENGINE SPECS



CHASSIS

BATTERY 58 KWH (61 KWH) / 190 PS (HP) - 140 KW **BATTERY 79 KWH (84 KWH) / 231 PS (HP) - 170 KW**

Front suspension	Independent type McPherson - coil springs - hydraulic dampers Stabilizing bar (DCC Sport optional)
Rear suspension	Multilink - coil springs - hydraulic dampers Stabilizing bar (DCC Sport optional)

STEERING

Steering system	EPS (Electric Power Steering) with variable ratio
Turning Circle Diameter (m)	10.5

BRAKES

BATTERY 58 KWH (61 KWH) / 190 PS (HP) - 140 KW **BATTERY 79 KWH (84 KWH) / 231 PS (HP) - 170 KW**

Brake system	ABS, ESC, electromechanical brake booster and regenerative brake	
Standard front CUPRA brakes (mm)	340x27	340x27

WEIGHTS

Length (mm)	4336	4336
Width (mm)	1809	1809
Height (mm)	1543	1543
Boot capacity (litres)	385	385
Weight (Kg)	1899	1964
Seats	5	5



ENGINE SPECS

GENERAL INFORMATION

**BATTERY 79 KWH (84 KWH)
/ 326 PS (HP) - 240 KW**

Acceleration (0-50 km/h)	2.6
Acceleration (0-100 km/h)	5.6
Maximum power (kW/HP)	240/326
Electric range max-min (km)	631 - 552

DRIVETRAIN

Max torque (Nm)	545
-----------------	-----

* The accurate range for your vehicle will vary according to a number of different factors which include the route, weather conditions, vehicle load (occupants + luggage), battery age and condition, optional equipment (alloys, tyres, etc.), the use of peripheral energy consumption systems such as heating, air conditioning and heated seats, as well as your driving style. The indicated range has been calculated in compliance with the WLTP standards, which set out test conditions applicable to all car manufacturers to ensure the comparability of these tests for all vehicles.

** The technical data displayed are merely indicative and may vary. The available power (KW) and acceleration of the vehicle depends on the battery charge level and its temperature at all times. The pictures are used for illustrative and informational purposes only and may not correspond to the series production.

***Please note will be available from week 20/26

ENGINE SPECS

BATTERY

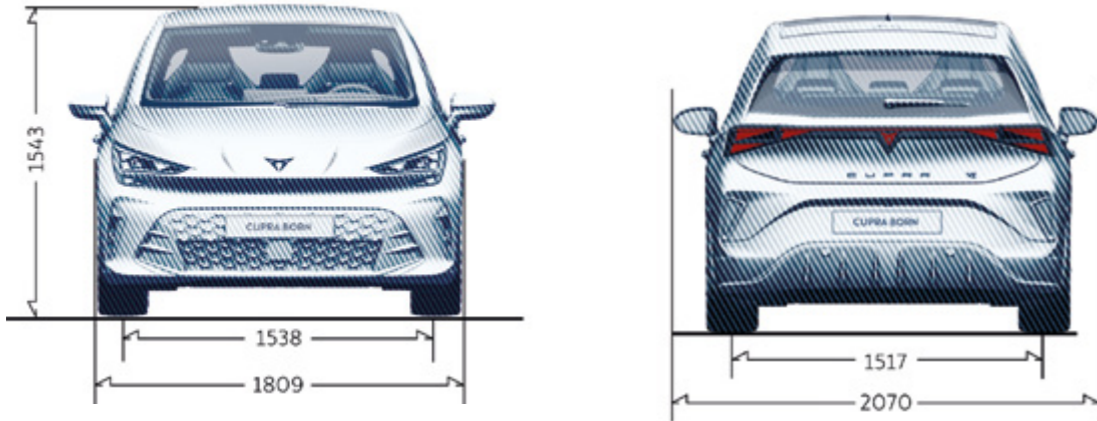
**BATTERY 79 KWH (84 KWH)
/ 326 PS (HP) - 240 KW**

Battery type	NMC battery
Battery capacity (kWh)	79(84)
Battery voltage	240-408V
Charging time (AC 7 kW)	-
Charging time (AC 11 kW) 0-100% SoC (h)	8h 30min
Charging time (DC 50 kW)	-
Charging time (DC 105 kW)	-
Charging time (DC 120 kW)	-
Charging time (DC 165 kW)	-
Charging time (DC 175 kW)	-
Charging time (DC 183 kW) 10-80% SoC (h)	0:29
Charging time 100km range/100 kW	-
Charging time 100km range/170 kW	-

ELECTRIC CONSUMPTION

Electric consumption combined WLTP (kWh/100 km)	14.1 - 16.2
Combined range WLTP max-min (km)	631 - 552

Our global range of cars and product specifications varies from country to country. Please, visit your local CUPRA website to know more about the product offer available for you.



CHASSIS

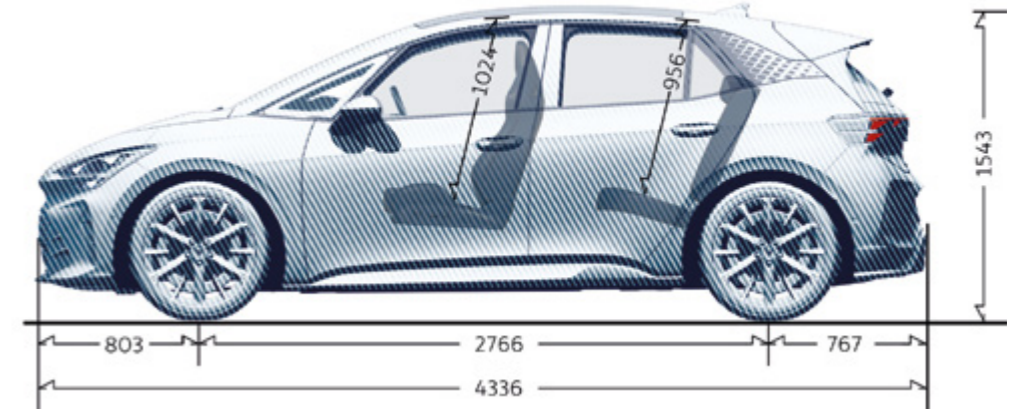
**BATTERY 79 KWH (84 KWH)
/ 326 PS (HP) - 240 KW**

Front suspension	Independent type McPherson - coil springs - hydraulic dampers Stabilizing bar (DCC Sport serie)
Rear suspension	Multilink - coil springs - hydraulic dampers Stabilizing bar (DCC Sport serie)

STEERING

Steering system	EPS (Electric Power Steering) with variable ratio
Turning Circle Diameter (m)	10.5

ENGINE SPECS



BRAKES

**BATTERY 79 KWH (84 KWH)
/ 326 PS (HP) - 240 KW**

Brake system	ABS, ESC , electromechanical brake booster and regenerative brake
Standard front CUPRA brakes (mm)	340x27

WEIGHTS

Length (mm)	4336
Width (mm)	1809
Height (mm)	1543
Boot capacity (litres)	385
Weight (Kg)	2004
Seats	5



CUPRA is committed to a policy of continuous product development and reserves the right to make changes to specifications, colours and prices without notice. The information in this brochure can therefore be given as guidance only. While CUPRA makes every effort to ensure that specifications are accurate at the time of publication, you should always check with your authorised CUPRA Partner for the latest information. Due to limitations of the printing process the colours reproduced in this brochure may vary slightly from the actual paint colour and material — 04/2026.

Printed in Spain.